



Bob Daubney's Bowling & Billiards

601 New Loudon Rd. (Rt 9) Latham NY 12110

Across from Hoffman's Playland

Phone: 518-785-3555

Fax: 518-785-2695

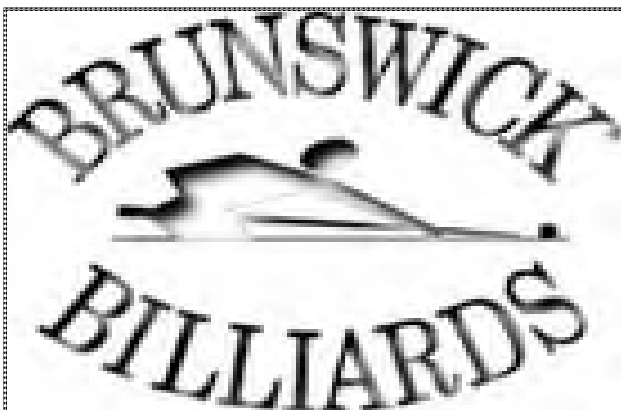
Email: daubney300@bobdaubney.com Web: www.bobdaubney.com

Home of Brunswick

Pool Tables Since 1959

Mfg. - Sales - Service - Repairs - Supplies

www.brunswickbilliards.com



CURRENT PRICE LIST

ALL OTHER

PRICE LISTS ARE VOID

REVISED: JAN 2010

Table of Contents

Brunswick Table Prices	1
Brunswick Table Prices	2
Brunswick Table Prices	3
Brunswick Table Prices	4
Accessory Packages.....	5
Delivery and Setup Charges.....	5
Other Accessories.....	5
Payment Options.....	6
Space Requirements.....	7
Deluxe Accessory Kit.....	8
Repair Price List.....	9
Warranty.....	10

Brunswick Contender Series

Model	Finish	Pocket / Gully	Size	Legs	MSRP	Our Price
Allenton *Stock Table	Cherry / Chestnut	Pocket	7'	Ball & Claw	\$1,795	\$1,595
Allenton *Stock Table	Cherry / Chestnut	Pocket	8'	Ball & Claw	\$1,995	\$1,695
Bayfield *Stock Table	Chestnut / Black	Pocket Add \$150/Gully	8'	Tapered	\$2,295	\$1,995
Black Wolf *Stock Table	Black	Pocket Add \$150/Gully	7'	Pedestal	\$1,895	\$1,695
Black Wolf *Stock Table	Black	Pocket Add \$150/Gully	8'	Pedestal	\$2,195	\$1,895
Danbury *Stock Table	Cherry / Chestnut	Pocket	7'	Ball & Claw	\$2,195	\$1,895
Danbury *Stock Table	Cherry / Chestnut	Pocket	8'	Ball & Claw	\$2,295	\$1,995
Bristol *Stock Table	Biltmore Cherry	Pocket Add \$150/Gully	7'	Standard	\$1,395	\$1,195
Tremont * Stock Table	Chestnut	Pocket	8'	Ball & Claw	\$1,699	\$1,495

Brunswick Conversion Top	5' x 9'	Fits 7' & 8' Tables	\$399.95	\$349.95
---------------------------------	---------	---------------------	----------	-----------------

ADD \$200 to UPGRADE 3/4" UNFRAMED to 1" FRAMED SLATE
ADD \$200 FOR SPECIAL ORDER TABLE FROM BRUNSWICK

Brunswick Pool Tables

Model	Finish	Pocket/Gully	Size	Legs	MSRP	Our
Artisan	Oak	Pocket	8'	Mission	\$5,679	\$5,399
Ashbee	Mahogany	Pocket	8'	Ball & Claw	\$5,949	\$5,695
Astoria	Mahogany	Pocket	8'	Ball & Claw	\$3,799	\$3,400
Barrington	Chestnut	Pocket	8'	European Style	\$9,619	\$8,999
Bradford	Cherry/ Mahog Chestnut	Pocket	7'	Ball & Claw	\$2,339	\$1,995
Bradford	Cherry/ Mahog Chestnut	Pocket	8'	Ball & Claw	\$2,469	\$2,195
Briarwood	Dark Walnut	Pocket	8'	Old World Style	\$9,599	\$9,299
Brookstone	Oak / Cherry	Pocket	8'	Ball & Claw	\$2,799	\$2,495
Camden	Oak,/ Cherry Mahogany	Pocket	8'	Ball & Claw	\$4,699	\$3,895
Centurion	Mahogany/ Black	Gully	8'	Pedestal	\$4,499	\$3,995
Cromwell	Dark Walnut	Pocket	8'	European	\$10,759	\$8,995
Dominion	Chestnut	Pocket	8'	Beaded	\$ 5,769	\$3,995
Gibson	Mahogany	Pocket	8'	Pedestal	\$7,869	\$7,295

ADD \$200 FREIGHT FOR SPECIAL ORDER TABLE FROM BRUNSWICK

Buy a **\$350** value accessory kit for **\$195**

Add **\$200** to upgrade 3/4" unframed to 1" framed slate

Upgrade From Pocket to Ball Return for only **\$150**

Ask about free Delivery and Setup with certain Floor Models

Our Website: www.bobdaubney.com

Brunswick's Site: www.brunswick.com

Brunswick Pool Tables

Model	Finish	Pckt./ Gully	Size	Legs	MSRP	Our Price
Gold Crown V	Mahogany/ Matt Black	Gully	8' Pro	Pedestal	\$8,988	\$6,900
Gold Crown V	Mahogany/ Matt Black	Gully	9'	Pedestal	\$9,788	\$7,995
Hawthorn	Cherry / Mahogany	Pocket Add \$150/Gully	7'	Straight	\$3,499	\$2,795
Hawthorn	Cherry / Mahogany	Pocket Add \$150/Gully	8'	Straight	\$3,599	\$2,895
Montebello	Dark Walnut	Pocket	8'	Louis XIV Style	\$9,249	\$8,999
Sorrento	Mahogany	Pocket	8'	Unique Taper	\$5,899	\$4,795
Ventura III	Mahogany	Pocket	8'	Classic Taper	\$4,249	\$3,495
Windsor	Dark Walnut	Pocket	8'	Old World Style	\$9,879	\$7,999

*Available...Matching Wood Grain Cue Racks for most Tables
 . Inquire for Price & Availability

We offer a variety of Pool Cue Racks in matching finishes for all the above Tables
 Mali Cloth in Green & Burgundy at No Charge
 Other Colors \$100 Cutting & Shipping Charge

All above tables are special ordered please allow 2-4 weeks for delivery, there is also
 a \$200 extra delivery cost on these tables

Prices subject to change without notice!

Brunswick Warranties all Cabinets for 1 Full year from the date of setup in the home.

*Warranty only applies if we deliver the Table.

*Brunswick warranties all Slates to be flat within 10,000ths of an inch for
 the Original Owner.*

Delivery & Setup Charges Capital District area:

7' \$225

8' \$250 Home Style

8' \$350 Pro or 1" F

9' \$400

Outside Capital District Area (15 miles) is
\$60 per hour of travel time

We will deliver and or set up pool tables anywhere.

Prices quoted upon request.

Special non-stocked Brunswick pool table orders are freight
F.O.B. Bristol WI. (\$200 per Table)

Any special orders may take 2-4 weeks for delivery.

Pool Tables that are in stock will be 2 - 7 days for delivery

Brunswick Conversion Tops (Table Tennis).....\$349

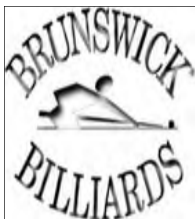
Fits 7' & 8' Pool tables

Complete Table Tennis Kit.....\$ 34.95

(paddles * balls * net)

Centennial Corner Rack.....\$ 495

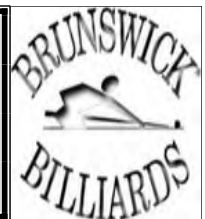
Brunswick Play Package.....\$ 499



Our Website: www.bobdaubney.com

Brunswick's Site:

www.brunswickbilliards.com



**All Cues / Chalk / Supplies / Cloths / Parts
Are available at Our Store**

Accessory Kits / Delivery-Setup / Repair Prices

Deluxe Accessory Kit

Includes: 3 maple cues, set of Phenolic 6 oz. balls, 15 ball and 9 ball racks, chalk, rule book, bridge stick, table cover & brush.

Reg. Price- \$350 **Our Price- \$195**

Delivery & Setup Charges Capital District area:

7' \$225
8' \$250 Home Style
8' \$325 Pro or 1" F
9' \$400

Additional Accessories

Mali Custom Cloth...\$100 extra

Ping Pong conversion top (fits 7' or 8' table)- w/Table \$169.95 / \$179.95

Wall-mount cue racks from \$19.95 to \$499. Pool table lamps from \$159.95 - \$499

**We carry a complete line of pool table accessories & lamps, Pool Ball Sets
2 piece cues, cue cases, 9 ball racks, score beads, wall pictures &
much, much more!**

Repair Services

For all size tables call 785-3555 for a quote.

Bed and rail recovering

New cushions and cloth

Disassembly / Moving / Assembly / Leveling / Storage

Expert Appraisals

*
* **Area's Largest Display & Selection of:** *
* **Poker * Foosball * Awards** *

All prices subject to change
without notice!



**Bob Daubney's
Brunswick Pool Table
Payment Plan**

We are offering Financing Plans
Buy Now & Pay Later at 0% Interest...
with your Brunswick Billiard Credit Card

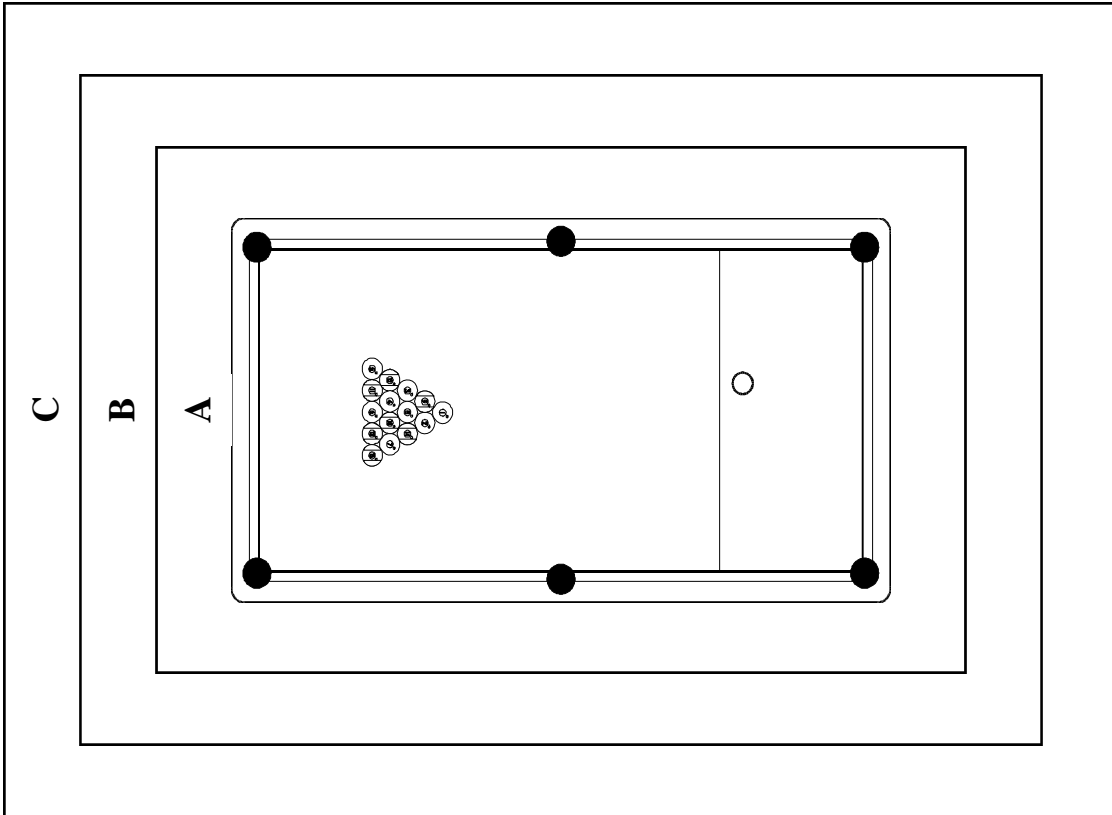
Apply with your one-time only Credit Card Application
from Wells Fargo Bank

Plan #22: **12 months...No Interest Option**
Monthly Payments.....1/30 of Contract

All Payment Plans.....Balances are Due before end of
Term.....or Interest Accrues

Credit Approvals within in 15 minutes or less.

**Thank you
Bob Daubney**



Minimum Space Requirements

“A” is space required for 48” cue
 “B” is space required for 52” cue
 “C” is space required for 57” cue

3’ x 6’ table (playing area 32” x 64”)

- A- 11’ x 13 1/2’
- B- 11 1/2’ x 14’
- C- 12 1/2” x 15’

3 1/2’ x 7’ table (playing area 38” x 76”)

- A- 11 1/2’ x 14 1/2’
- B- 12’ x 15’
- C- 13’ x 16’

4’ x 8’ table (playing area 44” x 88”)

- A- 12’ x 15 1/2’
- B- 12 1/2’ x 16’
- C- 13 1/2’ x 17’

4’ x 8’ Pro table (playing area 46” x 92”)

- A- 12’ x 16’
- B- 12 1/2’ x 16 1/2’
- C- 13 1/2’ x 17 1/2’

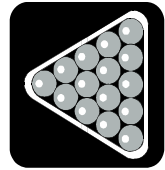
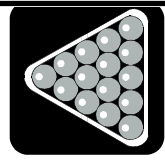
4 1/2” x 9’ table (playing area 50” x 100”)

- A- 12 1/2’ x 16 1/2’
- B- 13’ x 17’
- C- 14’ x 18’

You may make a drawing of your room or space, or bring in measurements, and we will be happy to assist you in deciding upon the proper size of table and correct cue length for your needs.

Thank you,

Bob Daubney’s
 Billiards
 601 New Loudon Rd. (Rt.9)
 Latham, NY 12110
 (518) 785-3555



Save \$155

Deluxe Accessory Kit

Regularly.....\$350

Our Price.....\$195

Kit Includes:

- 1 Set of 1st Grade Pool Balls
- 3 Maple Cues - Your Choice In Length:
 - 57" 52" 48"
- Bridge Stick w/ Bridgehead
- Table Cover & Table Brush
 - Chalk (Box of 12)
- Wood Triangle & Wood 9-Ball Rack
 - BCA Rule Book



Bob Daubney's Billiards

Since 1950

601 (Rt.9)Latham, NY 12110

(518) 785-3555 Fax - (518) 785-2695-(BOWL)

Web- bobdaubney.com E-Mail - daubney300@bobdaubney.com



Pool Table Repair Price List

Table Size	Recovering Bed & Rails	Recovering Bed Only	Recovering Rails Only	Assemble & Level	Disassemble Only	Disassemble Move & Reassemble	New Cushions & Cloth
9 ft	\$ 450	\$ 350	\$ 350	\$ 450	\$ 350	\$ 650	\$ 450
8 ft 1"F	\$ 400	\$ 350	\$ 350	\$ 375	\$ 300	\$ 525	\$ 410
8 ft	\$ 360	\$ 275	\$ 245	\$ 300	\$ 250	\$ 450	\$ 370
7 ft	\$ 340	\$ 240	\$ 235	\$ 270	\$ 235	\$ 400	\$ 330
6 ft	\$ 320	\$ 230	\$ 220	\$ 250	\$ 220	\$ 370	\$ 300
Slate							

- ♦ All prices include labor & materials, and are based on location in the immediate area ..Call for Quote
- ♦ Rebuilding, Repairs, etc. done on a labor rate of \$60 per hour/ per man, and materials basis, portal-to-portal
 - ♦ ALL SERVICE CALLS...\$125 PER HR (Please allow 1 Week advance notice on all Jobs)
 - ♦ REMOVAL OF ANY SLATE TABLE...LOCALLY....\$100
- ♦ All Jobs are Cash or Check with phone# & license # or Credit card approval before going on the job
 - ♦ We supply Green / Dk Green / Burgundy 21oz Mali Cloth at No Extra Charge
 - ♦ Special Ordered Cloth...\$100
 - ♦ Table Jobs out of Local Area will have a travel surcharge ...Quoted on request
 - * Fully insured-Brunswick Pool Table Distributor



**BRUNSWICK BILLIARDS
LIMITED LIFETIME WARRANTY**



Brunswick Billiards certifies that its pool, snooker, and carom tables purchased on or after August 1, 1995, from authorized Brunswick dealers are warranted against defects in materials and workmanship for the duration of personal ownership by the original owner. Brunswick agrees, at its sole option, to repair, replace, or refund the cost of any and all parts determined to be defective in the sole discretion of Brunswick Billiards. This non-transferable warranty does not apply to normal wear and tear from use and it does not apply to home tables used in an institutional or commercial setting. Replacement of the entire table is not required under this warranty. All claims must be received through an authorized Brunswick dealer.

I. MATERIALS AND WORKMANSHIP (EXCLUDING SLATE)

A. If Within One Year

If a problem occurs within one year from the date of the original installation, Brunswick will, at its sole option, repair or replace the defective part or parts at no cost to the original owner if all of the following conditions are met:

- (1) The tables were purchased from an authorized Brunswick dealer on or after August 1, 1995, and installed by an authorized Brunswick dealer or a factory-approved installer; and
- (2) Repair work must be done by an authorized Brunswick dealer or a factory-approved installer.

PLEASE NOTE: Bedcloth is warranted only at the time of installation.

B. If One Year or More

If a problem occurs a year or more beyond the date of the original installation, Brunswick will make adjustments only if all of the following conditions are met:

- (1) All labor charges, if any, for disassembly, preparation for return evaluation, or reassembly are paid by the owner and performed by an authorized Brunswick dealer or a factory-approved installer; and
- (2) All freight charges for all parts returned for evaluation are paid by the owner by shipping the parts prepaid; and
- (3) The tables were purchased from an authorized Brunswick dealer on or after August 1, 1995, and installed by an authorized Brunswick dealer or a factory-approved installer.

Upon Brunswick's determination of a defect in materials or workmanship, Brunswick will, at its sole option, replace or repair and return the original part prepaid.

This warranty on parts (excluding slate) is void on demonstrator tables and floor samples.

II. SLATE

Brunswick slate is warranted to be machined within plus or minus .010 inch over its playing surface and shall remain flat for the duration of personal ownership of the tables by the original owner. The slate must be properly installed by an authorized Brunswick dealer or a factory-approved installer, shimmed, and maintained. Brunswick reserves the right to repair minor faults which are inherent to the nature of the slate, such as hairline cracks, chips, and the like.

This Limited Lifetime Warranty is personal and is non-transferable to subsequent owners of the tables. This warranty is void if the tables are not installed and serviced by an authorized Brunswick dealer or a factory-approved installer. Parts which have been subjected to accident, alteration, abuse, misuse, natural disaster, or neglect shall not be covered by this warranty. Repair or replacement of any defective parts shall constitute complete fulfillment of all obligations with respect to the tables. THIS IS THE SOLE WARRANTY WITH RESPECT TO THE TABLES AND IS MADE EXPRESSLY IN LIEU OF AND EXCLUDES ALL OTHER WARRANTIES AND REPRESENTATIONS, EXPRESS OR IMPLIED, INCLUDING WITHOUT LIMITATION THE WARRANTIES OF MERCHANTABILITY AND FITNESS FOR A PARTICULAR PURPOSE.

BOB DAUBNEY'S LATHAM, N.Y. 785-3555